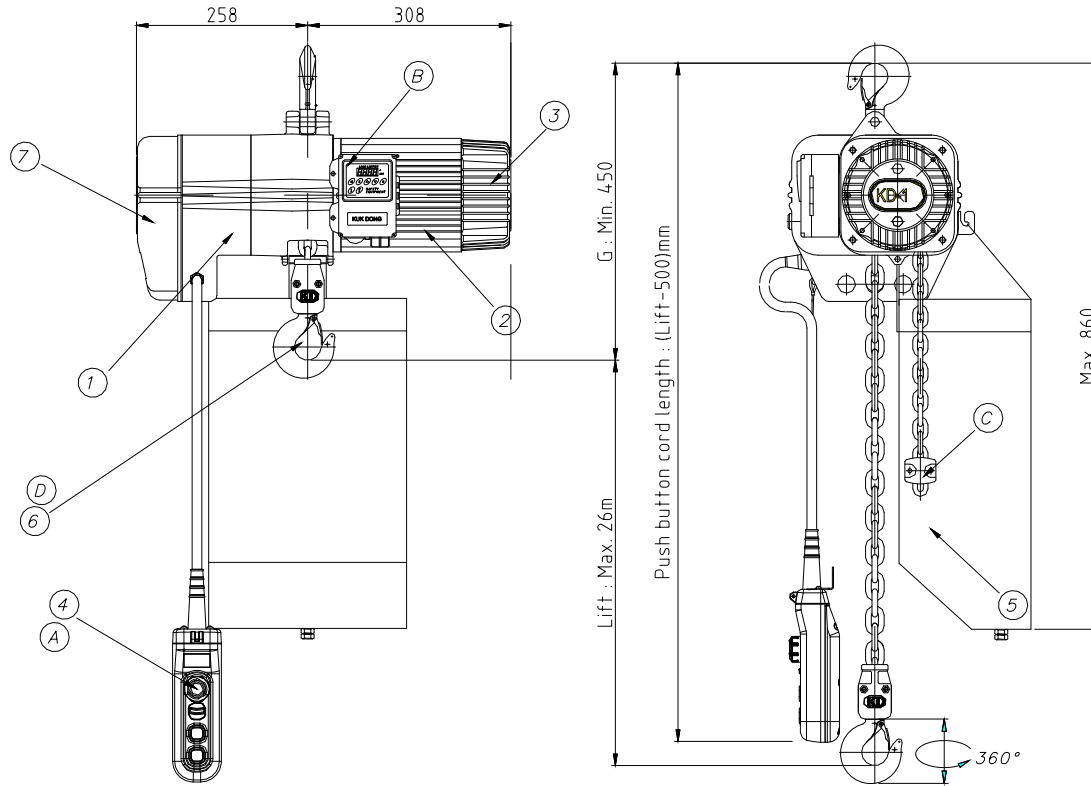


??	KD1M-1.0T
??	KD-1-1T-L26

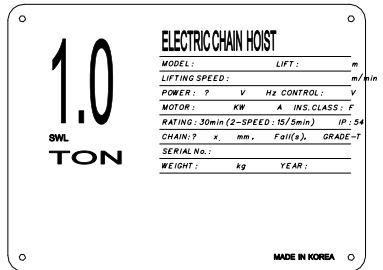


NO	DESCRIPTION	MATERIAL	QTY	SIZE	REMARK
1	Reducer-ASSY	-	1		
2	Motor	-	1		
3	Brake-ASSY	-	1		
4	Push Button S/W	-	1		
5	Chain Bucket	-	1		
6	Bottom Hook-ASSY	-	1		
7	Control Panel (??)	-	1		
8					
9					
10					

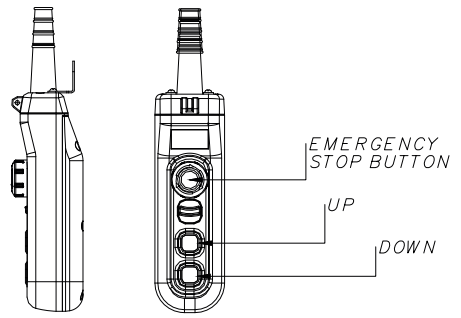
SAFETY DEVICE					
A	EMERGENCY STOP BUTTON S/W	-	1		
B	O.L.P	-	1		
C	CHAIN STOP HOLDER	-	1		
D	SAFETY LATCH	-	1		

CAPACITY		1.0 Ton
TEST LOAD		1.25 Ton
LIFT		Max. 26 m
HOISTING	MOTOR	1.5 kw x 4 poles
	SPEED	8 m/min
TRAVERSING	MOTOR	-
	SPEED	-
BRAKE SYSTEM	HOISTING	DC ELECTRO MAGNETIC BRAKE
	TRAVERSING	-
POWER SOURCES	MAIN	AC 3? 220/380/440 460/480V 60Hz
	CONTROL	AC 1? 48/110/120V 60Hz
OPERATION METHOD		PUSH BUTTON SWITCH TYPE ON FL.
PAINT COLOR		10 B 3/5
BEAM SIZE		-
LOAD CHAIN		?7.1 x P21.2mm x 1f all
NET WEIGHT		Max. 85 kg

* Name plate



* Push button



08.MAR.2017 REDRAWING		K.H.Han	-	-	
REV	DATE	DESCRIPTION	DRAWN	CHECK	APPRVD
PROJECT					
CLIENT					
MANUFACTURER		극동호이스트 주식회사 KUKDONG HOIST CO., LTD.			
TITLE		ASSEMBLYDRAWING KD-1-1T-L26			
SCALE	DWG.NO.	SHT.NO.		REV.	
N/S					