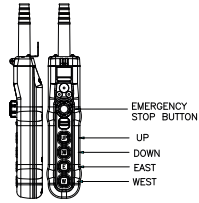


* Push button



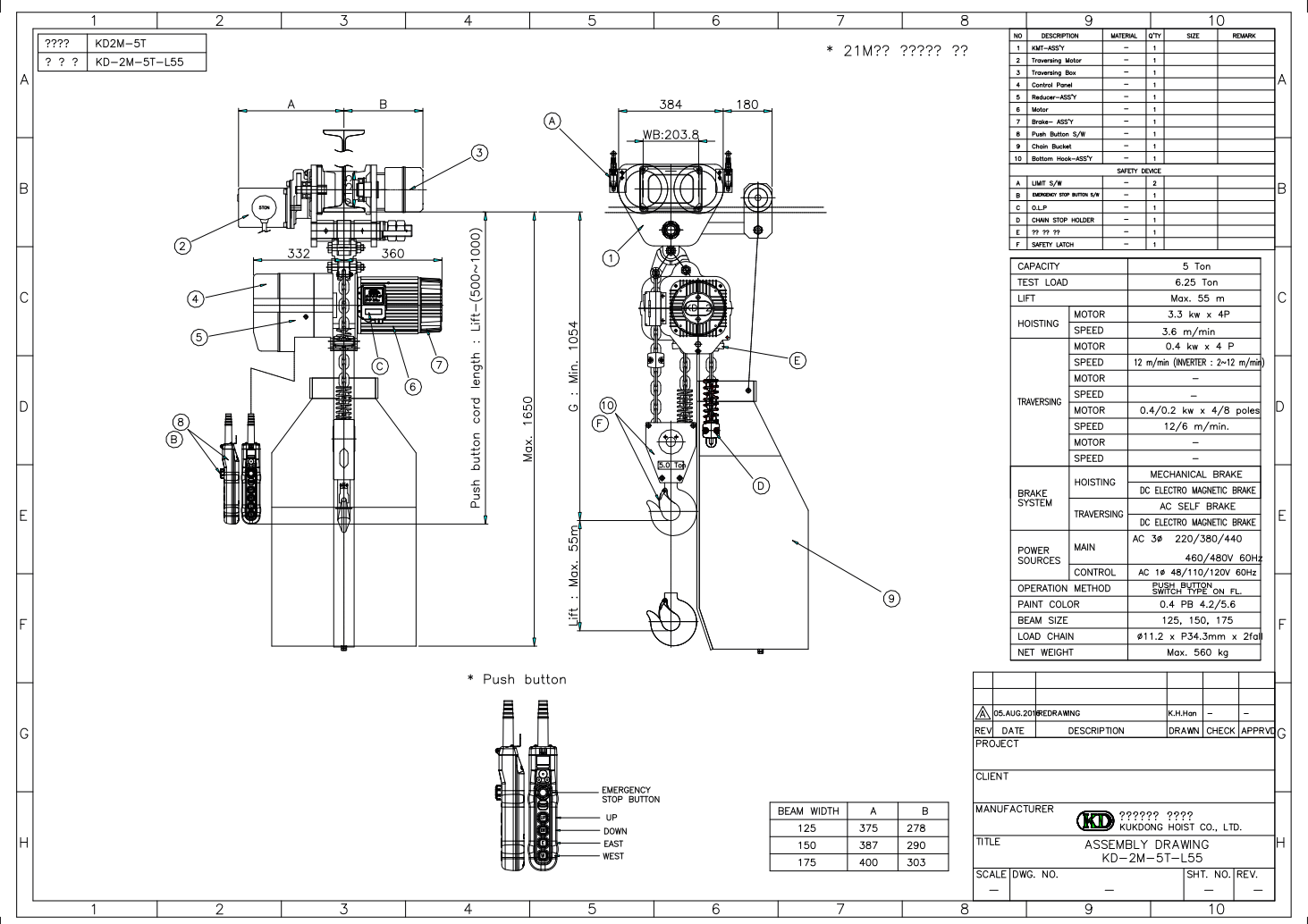
BEAM WIDTH	A	B
125	375	278
150	387	290
175	400	303

NO	DESCRIPTION	MATERIAL	QTY	SIZE	REMARK
1	KMT-ASSY	-	1		
2	Traversing Motor	-	1		
3	Traversing Box	-	1		
4	Control Panel	-	1		
5	Reducer-ASSY	-	1		
6	Motor	-	1		
7	Brake- ASSY	-	1		
8	Push Button S/W	-	1		
9	Chain Bucket	-	1		
10	Bottom Hook-ASSY	-	1		

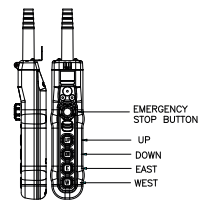
SAFETY DEVICE	
A	LIMIT S/W
B	Emergency stop button S/W
C	O.L.P
D	CHAIN STOP HOLDER
E	?? ?? ??
F	SAFETY LATCH

CAPACITY	5 Ton
TEST LOAD	6.25 Ton
LIFT	Max. 20 m
HOISTING	MOTOR 3.3 kw x 4P
	SPEED 3.6 m/min
	MOTOR 0.4 kw x 4 P
	SPEED 12 m/min (INVERTER : 2~12 m/min)
TRAVERSING	MOTOR -
	SPEED -
	MOTOR 0.4/0.2 kw x 4/8 poles
	SPEED 12/6 m/min.
	MOTOR -
	SPEED -
BRAKE SYSTEM	HOISTING MECHANICAL BRAKE
	DC ELECTRO MAGNETIC BRAKE
	AC SELF BRAKE
	TRAVERSING DC ELECTRO MAGNETIC BRAKE
	DC ELECTRO MAGNETIC BRAKE
POWER SOURCES	MAIN AC 3ø 220/380/440
	CONTROL AC 1ø 48/110/120V 60Hz
OPERATION METHOD	PUSH BUTTON SWITCH TYPE ON FL.
PAINT COLOR	0.4 PB 4.2/5.6
BEAM SIZE	125, 150, 175
LOAD CHAIN	ø11.2 x P34.3mm x 2ft
NET WEIGHT	Max. 410 kg

05.AUG.2018	REDRAWING	K.H.Han	-	-	
REV	DATE	DESCRIPTION	DRAWN	CHECK	APPROV
PROJECT					
CLIENT					
MANUFACTURER					
 KUKDONG HOIST CO., LTD.					
TITLE					
ASSEMBLY DRAWING					
KD-2M-5T-L20					
SCALE	DWG. NO.	SHT. NO.		REV.	
-	-	-		-	



* Push button



BEAM WIDTH	A	B
125	375	278
150	387	290
175	400	303

NO	DESCRIPTION	MATERIAL	QTY	SIZE	REMARK
1	KMT-ASSY	-	1		
2	Traversing Motor	-	1		
3	Traversing Box	-	1		
4	Control Panel	-	1		
5	Reducer-ASSY	-	1		
6	Motor	-	1		
7	Brake- ASSY	-	1		
8	Push Button S/W	-	1		
9	Chain Bucket	-	1		
10	Bottom Hook-ASSY	-	1		

SAFETY DEVICE	
A	LIMIT S/W
B	Emergency stop button S/W
C	O.L.P
D	CHAIN STOP HOLDER
E	?? ?? ??
F	SAFETY LATCH

CAPACITY	5 Ton
TEST LOAD	6.25 Ton
LIFT	Max. 55 m
HOISTING	MOTOR 3.3 kw x 4P
	SPEED 3.6 m/min
	MOTOR 0.4 kw x 4 P
	SPEED 12 m/min (INVERTER : 2~12 m/min)
TRAVERSING	MOTOR -
	SPEED -
	MOTOR 0.4/0.2 kw x 4/8 poles
	SPEED 12/6 m/min.
	MOTOR -
	SPEED -
BRAKE SYSTEM	HOISTING MECHANICAL BRAKE
	DC ELECTRO MAGNETIC BRAKE
	AC SELF BRAKE
	TRAVERSING DC ELECTRO MAGNETIC BRAKE
	DC ELECTRO MAGNETIC BRAKE
POWER SOURCES	MAIN AC 3ø 220/380/440
	CONTROL AC 1ø 48/110/120V 60Hz
OPERATION METHOD	PUSH BUTTON SWITCH TYPE ON FL.
PAINT COLOR	0.4 PB 4.2/5.6
BEAM SIZE	125, 150, 175
LOAD CHAIN	ø11.2 x P34.3mm x 2ft
NET WEIGHT	Max. 560 kg

05.AUG.2018	REDRAWING	K.H.Han	-	-	
REV	DATE	DESCRIPTION	DRAWN	CHECK	APPROV
PROJECT					
CLIENT					
MANUFACTURER					
 KUKDONG HOIST CO., LTD.					
TITLE					
ASSEMBLY DRAWING					
KD-2M-5T-L55					
SCALE	DWG. NO.	SHT. NO.		REV.	
-	-	-		-	