

# KD-2 type

Available from 1.5Ton to 5Ton capacity



## KD-2 type

- Hoist classification : FEM(1Bm) / ISO(M3)
- Motor & brake class : "F" class
- Ambient temperature : -10°C ~ +40°C
- Intermittent Rating(%ED) :  
single speed(25%ED) / dual speed(20%ED)

- Mechanical brake system
- Upper/lower limit switch
- DC brake system
- Emergency stop
- Powerful motor
- KD manufactured load chain

### I STANDARD SPECIFICATION

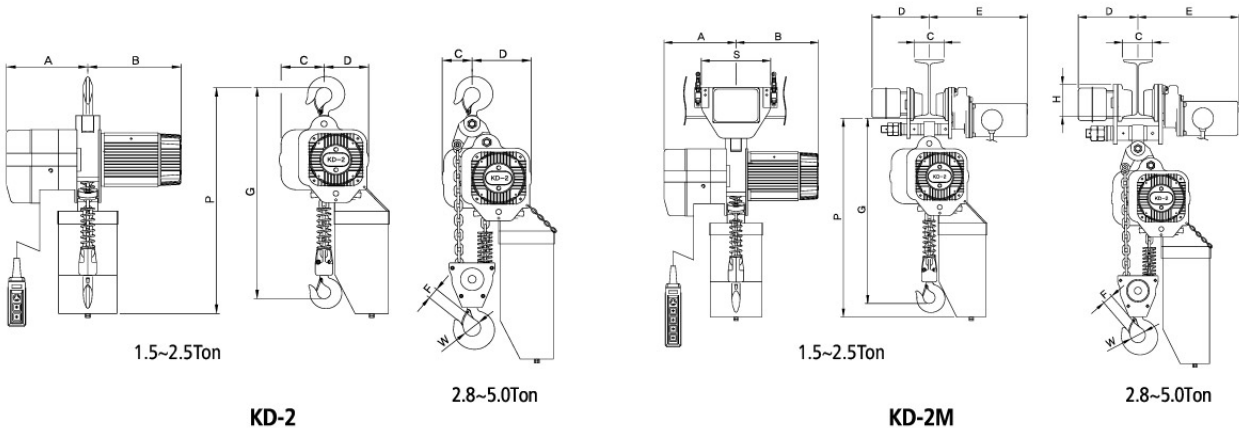
Model	Capacity (ton)	Lift (m)	Duty rating (min)		Lifting Speed (m/min)				Traversing Speed (m/min)		Load Chain Dia. (mm)	No. of Falls of Load Chain	Test Load (kg)
			Single	Dual	Single		Dual		50Hz	60Hz			
					50Hz	60Hz	50Hz	60Hz					
KD-2	1.5	4	30	15/5	6.8	8.2	6.8/2.1	8.2/2.5	-	-	∅11.2	1	1,875
	1.9 / 2	4	30	15/5	6.8	8.2	6.8/2.1	8.2/2.5	-	-	∅11.2	1	2,375 / 2,500
	2.5	4	30	15/5	5.9	7.1	5.9/1.8	7.1/2.2	-	-	∅11.2	1	3,125
	2.8 / 3	4	30	15/5	4.3	5.2	4.3/1.3	5.2/1.6	-	-	∅9.5	2	3,500 / 3,750
	5	4	30	15/5	3.0	3.6	3.0/0.9	3.6/1.1	-	-	∅11.2	2	6,250
KD-2M	1.5	4	30	15/5	6.8	8.2	6.8/2.1	8.2/2.5	10	12	∅11.2	1	1,875
	1.9 / 2	4	30	15/5	6.8	8.2	6.8/2.1	8.2/2.5	10	12	∅11.2	1	2,375 / 2,500
	2.5	4	30	15/5	5.9	7.1	5.9/1.8	7.1/2.2	10	12	∅11.2	1	3,125
	2.8 / 3	4	30	15/5	4.3	5.2	4.3/1.3	5.2/1.6	10	12	∅9.5	2	3,500 / 3,750
	5	4	30	15/5	3.0	3.6	3.0/0.9	3.6/1.1	10	12	∅11.2	2	6,250

Capacity (ton)	Output (kw)		Traversing (kw)	Net weight		Extra weight per 1m lift (kg)	
	Single	Dual		KD-2	KD-2M	KD-2	KD-2M
1.5	3.3	3.3/1.1	0.4	137 (147)	177 (187)	2.7	2.7
1.9 / 2	3.3	3.3/1.1	0.4	137 (147)	177 (187)	2.7	2.7
2.5	3.3	3.3/1.1	0.4	153 (163)	195 (205)	2.7	2.7
2.8 / 3	3.3	3.3/1.1	0.4	151 (161)	208 (218)	4.0	4.0
5	3.3	3.3/1.1	0.4	160 (170)	243 (253)	5.3	5.3

### I DIMENSION

Model	Capacity (ton)	Dimension (mm)											Std.I-Beam Width (mm)	Min. Radius of Curve (mm)
		A	B	C	D	E	F	H	S	W	P	G		
KD-2	1.5	332	360 (390)	168	168	-	34	-	-	50	805	790	-	-
	1.9 / 2	332	360 (390)	168	168	-	34	-	-	50	805	790	-	-
	2.5	332	360 (390)	168	168	-	41	-	-	60	826	827	-	-
	2.8 / 3	332	360 (390)	113	223	-	41	-	-	60	895	970	-	-
	5	332	360 (390)	113	223	-	48	-	-	67	970	1,095	-	-
KD-2M	1.5	332	360 (390)	125	265.5	362.5	34	123	296	60	770	755	100, 125, 150	1,500
	1.9 / 2	332	360 (390)	125	265.5	362.5	34	123	296	60	770	755	100, 125, 150	1,500
	2.5	332	360 (390)	125	265.5	362.5	41	136	337	60	807	808	100, 125, 150	1,500
	2.8 / 3	332	360 (390)	125	276	426.5	41	136	337	60	900	925	100, 125, 150	1,500
	5	332	360 (390)	150	290	387	48	158	384	67	950	1,054	125, 150, 175	2,000

( ) Dual speed Dimension, Specification



• The design, material and specification are subject to change for improvement without notice.  
 • A special specification is available upon request.  
 • 극동하이스트(주) 제품의 규격은 품질개선을 위하여 예고없이 변경될 수 있으므로 제품 구입시 문의바랍니다.

※ F 치수는 안전거리 제외된 치수임